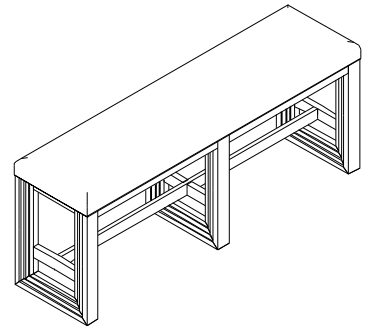


Warning :

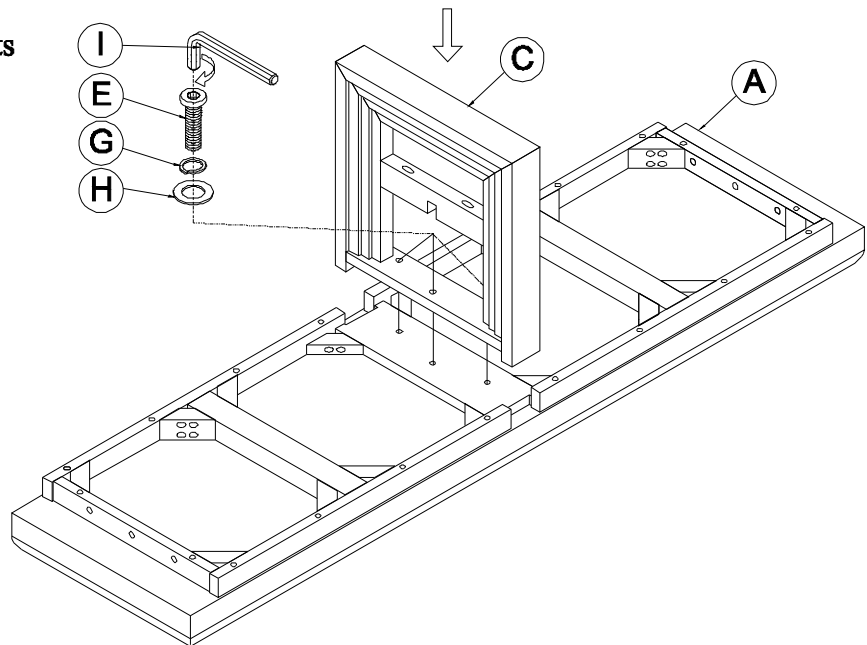
- Be sure to check all packing material carefully for small parts, which may have come loose inside the carton during shipment.
- To prevent possible scratches and damage, this furniture must be assembled on a soft surface such as a blanket or carpet.



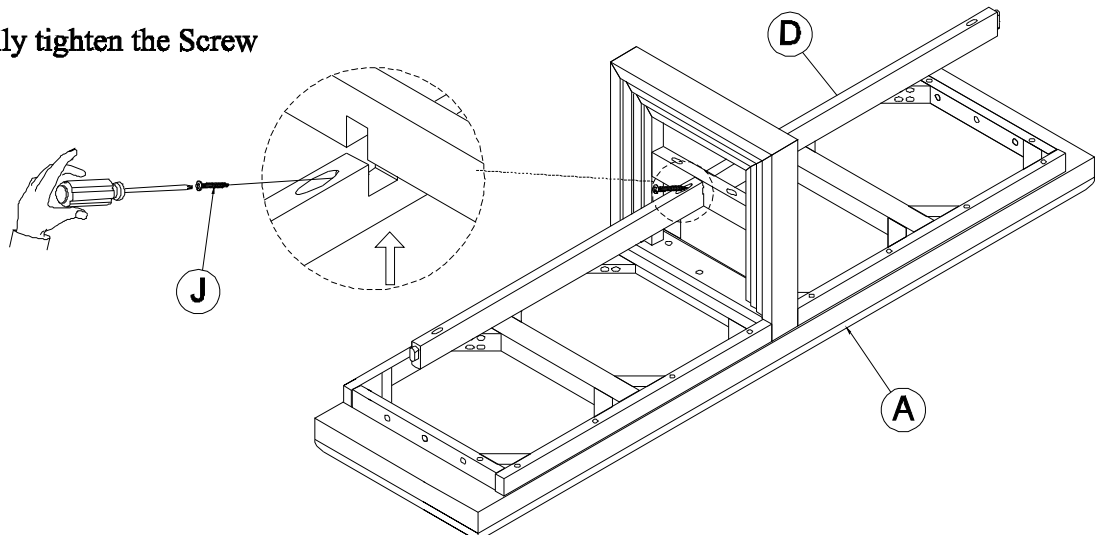
Components and Hardware List

Seat Cushion <p>(A) 1 pc.</p>	Side Leg <p>(B) 2 pcs.</p>	Center Leg <p>(C) 1 pc.</p>	Stretcher <p>(D) 1 pc.</p>	Allen Head Bolt 5/16"-18 x 1-1/2" <p>(E) 3 pcs.</p>	73444 UPH DINING BENCH 1IN Tool Required (Not provided) Phillips Screwdriver
Allen Head Bolt 5/16"-18 x 2" <p>(F) 6 pcs.</p>	Spring Washer 5/16" x 12 x 3mm <p>(G) 9 pcs.</p>	Flat Washer 5/16" x 19 x 2mm <p>(H) 9 pcs.</p>	Allen Key 5mm <p>(I) 1 pc.</p>	Wood Screw #8 x 1-1/4" <p>(J) 3 pcs.</p>	

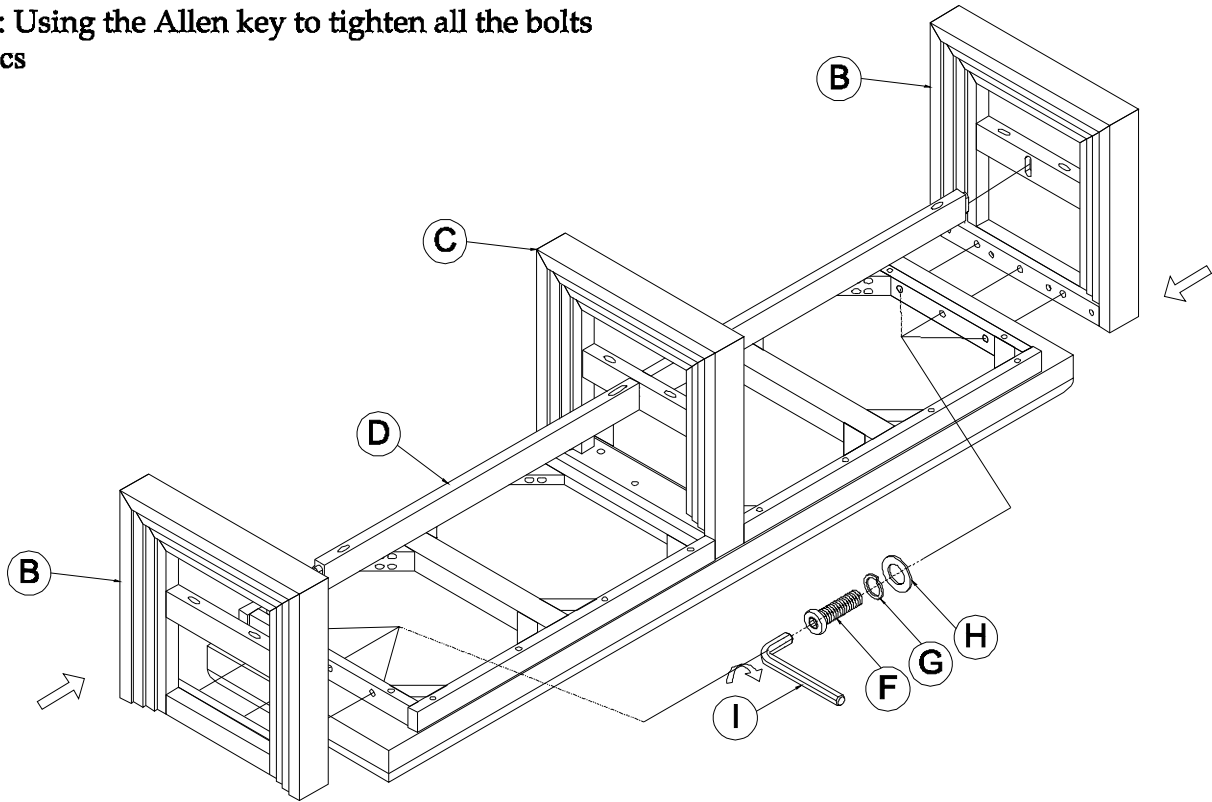
Step 1: Do not fully tighten the Bolts E x 3pcs



Step 2: Do not fully tighten the Screw J x 2pcs



Step 3: Using the Allen key to tighten all the bolts
F x 6pcs



Step 4: Using the Phillips Screwdriver to tighten all the Screws
J x 2pcs

